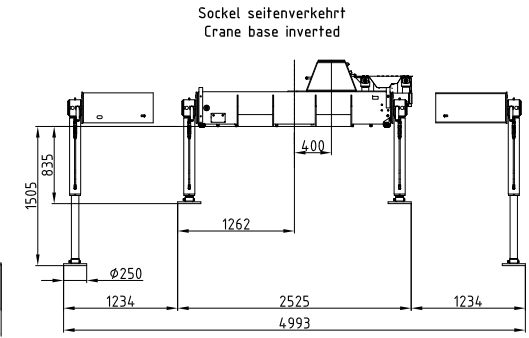
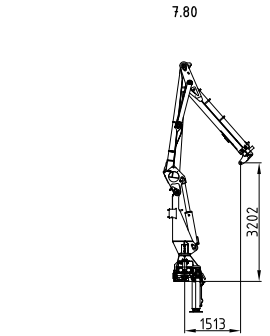
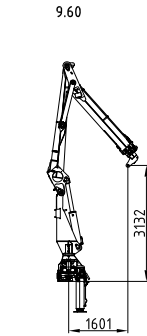
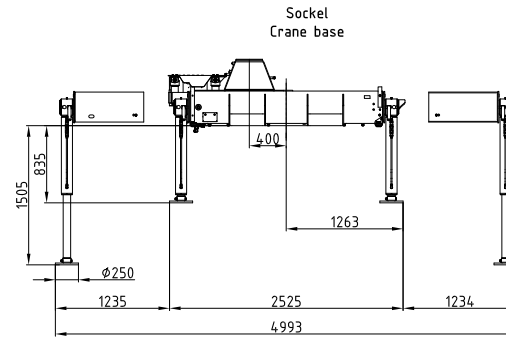
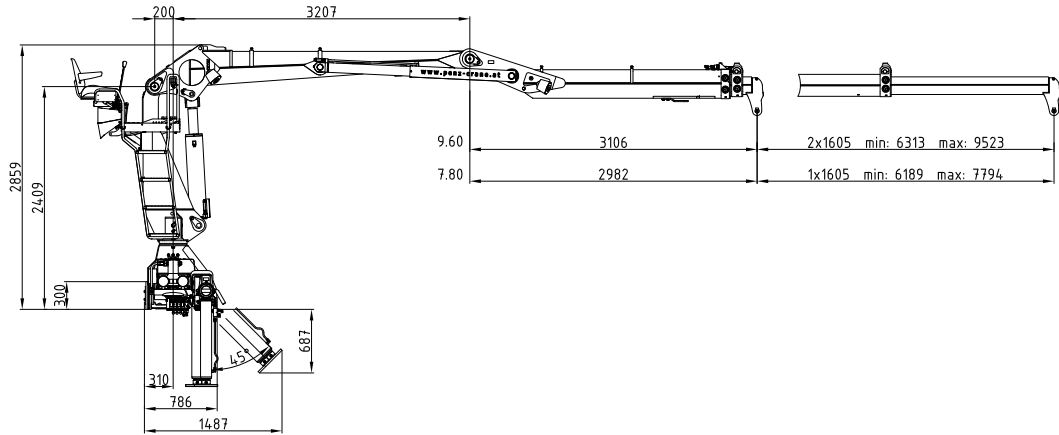
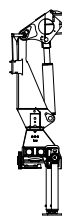


# 17ZR 20Zp+R

155 - 187 kNm	7,8 - 9,5 m	3,13 - 3,20 m	5 m	2.750 - 2.920 kg	405°	32,5 kNm	255 - 300 bar	Minimum 100 l/min ~ 50 kW	Minimum 75 l/min ~ 70 kW	Minimum 180 l/min ~ 90 kW

	3880	3140	2640	2240	1950	1710	(kg)
17Z9.60R	4560	3690	3100	2630	2290	2000	(kg)
17Z7.80R	3990	3220	2700	2300			(kg)
20Zp+7.80R	4690	3780	3170	2700			(kg)
	4m	5m	6m	7m	8m	9m	

