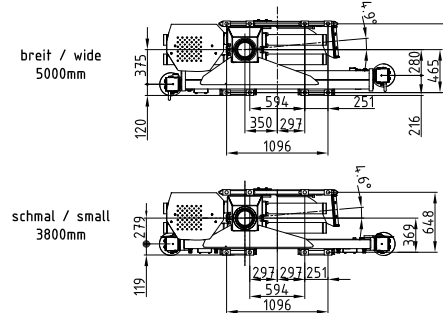
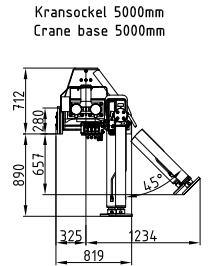
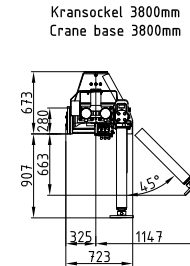
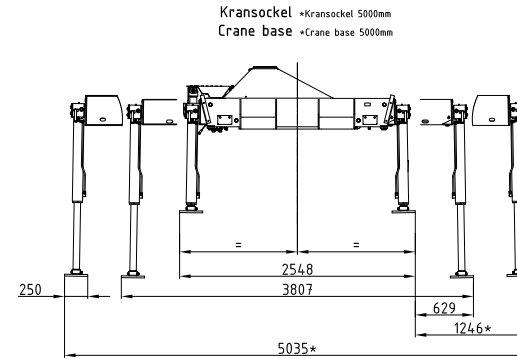
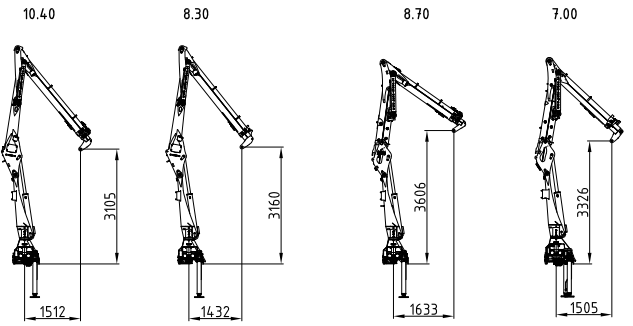
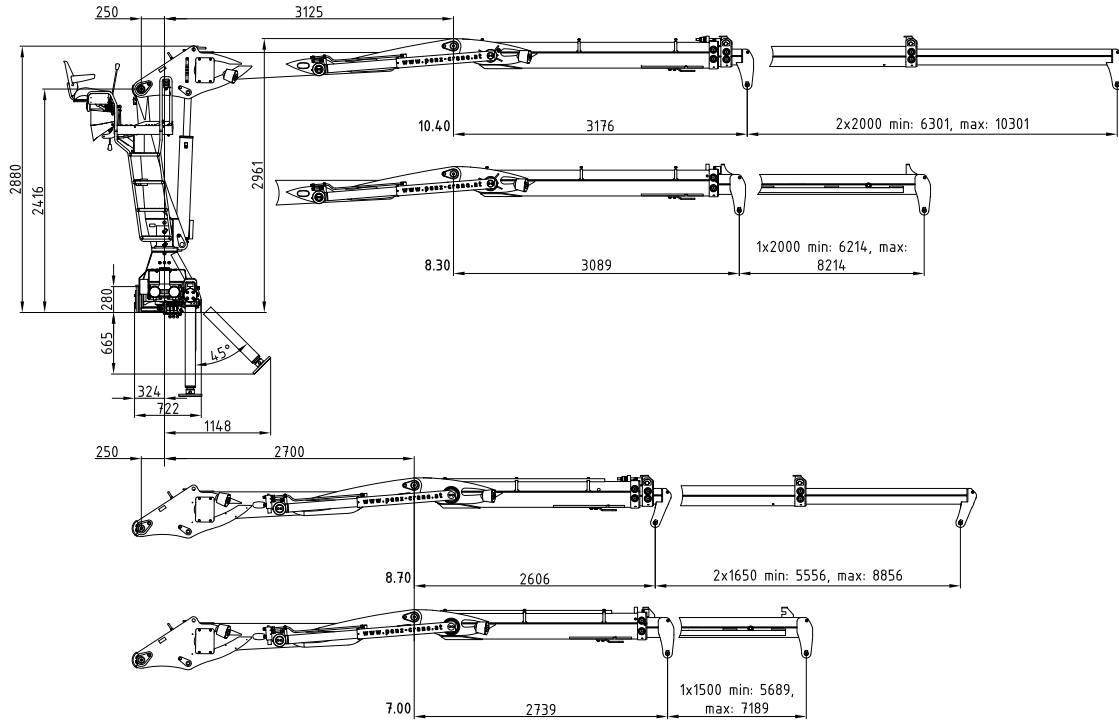


12ZER 13ZEp+R

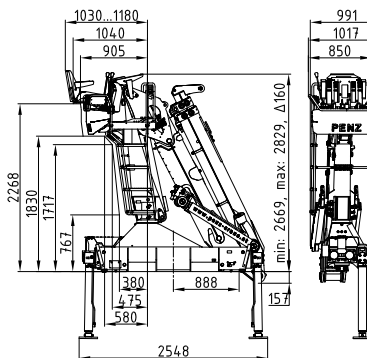
110 - 120 kNm	5,5 - 10,4 m	3,1 - 3,6 m	3,8 - 5 m	2.180 - 2.360 kg	425°	25 kNm	255 - 285 bar	Minimum 100 l/min ~ 50 kW	Minimum 75 l/min ~ 79 kW	Minimum 160 l/min ~ 80 kW



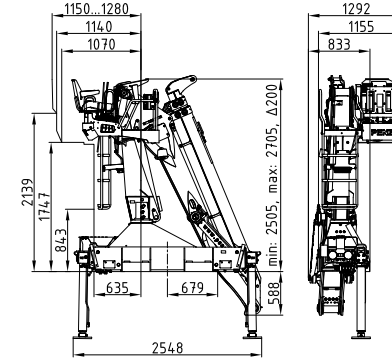
	2600	2070	1710	1440	1230	1080	800	[kg]
12ZE10.40R	2910	2310	1910	1610	1370	1200	890	[kg]
13ZEp+10.40R	2730	2170	1800	1520	1280			[kg]
12ZE8.30R	3050	2430	2010	1700	1430			[kg]
13ZEp+8.30R								
	4m	5m	6m	7m	8m	9m	10m	

	2700	2150	1790	1530	1240			[kg]
12ZE8.70R	2835	2260	1880	1610	1300			[kg]
13ZEp+8.70R	2845	2270	1890	1610				[kg]
12ZE7.00R	2990	2385	1985	1690				[kg]
13ZEp+7.00R								
	4m	5m	6m	7m	8m			

Rücksitz 04 mit Armsystem 8.70
Back seat 04 with load booms 8.70



Seifensitz 04 rechts & links mit Armsystem 10.40
Side seat 04 right & left with load booms 10.40



Rücksitz 04 mit Armsystem 10.40
Back seat 04 with load booms 10.40

